



P.O. Box 217, 773 Hwy. 105, Palmer Lake, CO 80133
 phone: **719-481-4205** fax: 719-488-0872
 email: **sales@diacut.com** web: www.diacut.com



3" DIAMETER SERIES

METAL BOND Diamond and CBN
 Slotting • Slicing • Dicing • Cut-off

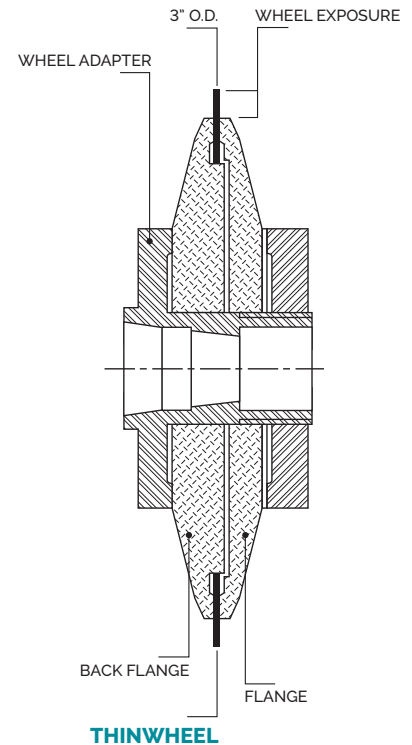
OUTSIDE DIAMETER: 3" INSIDE DIAMETER: 1.75"

➤ **Maximum grit size for the 1A8 Metal Bond wheels is 325/400 mesh or finer.**

ROUGHER GRIT SIZES MAY BE AVAILABLE UPON REQUEST, BUT THE THICKNESS TOLERANCE MAY VARY AS A RESULT.

Thinwheels available in thickness from .007"-.250" in increments of .001" or a fraction thereof.

3 PIECE MINIMUM ORDER



SUPERABRASIVE SOLID TO HOLE

WHEEL THICKNESS	THICKNESS TOLERANCE	DIAMOND	CBN
.007"-.009"	+0/-0.0004"	\$177.00	\$192.00
.010"-.025"	+0/-0.0004"	\$147.00	\$170.00
.026"-.050"	+0/-0.0004"	\$167.00	\$209.00
.051"-.075"	+0/-0.0004"	\$185.00	\$242.00
.076"-.100"	+0/-0.0004"	\$204.00	\$270.00
.101"-.125"	+0/-0.0004"	\$219.00	\$299.00
.126"-.150"	+0/-0.0004"	\$234.00	\$323.00
.151"-.175"	+0/-0.0004"	\$249.00	\$341.00
.176"-.200"	+0/-0.0004"	\$263.00	\$357.00
.201"-.225"	+0/-0.0004"	\$275.00	\$368.00
.226"-.250"	+0/-0.0004"	\$284.00	\$375.00

PRICES SUBJECT TO CHANGE WITHOUT NOTICE.
 PRICES EFFECTIVE AUGUST 1, 2017
 VISA/MASTERCARD ACCEPTED

1A8 FLANGES FOR 3" THINWHEEL

A special Diacut flange must be used with the 3" Thinwheel.

PART NO.	DIAMETER	WHEEL EXPOSURE	PRICE
F1A8-385	2.85"	.075"	\$66
F1A8-370	2.70"	.150"	\$65
F1A8-355	2.55"	.225"	\$63
F1A8-340*	2.40"	.300"	\$62
F1A8-325*	2.25"	.375"	\$61
FS300	Complete set of flanges		\$305

Flange thickness for 3" Thinwheel is .400"
 Standard hole size for all flanges is 1.25"
 Special hole size- add \$10

WHEEL EXPOSURE NOT TO EXCEED 15 TIMES THE THICKNESS OF THE BLADE

WHEEL ADAPTERS

Keep grinding wheels mounted for longer wheel life and less dressing time.



WA200-1LH	Wheel adapter O.D. 2-1/4"	\$53
*WAX200-1LH	Wheel adapter O.D. 1-3/4"	\$95



P.O. Box 217, 773 Hwy. 105, Palmer Lake, CO 80133
 phone: **719-481-4205** fax: 719-488-0872
 email: **sales@diacut.com** web: www.diacut.com



4" DIAMETER SERIES

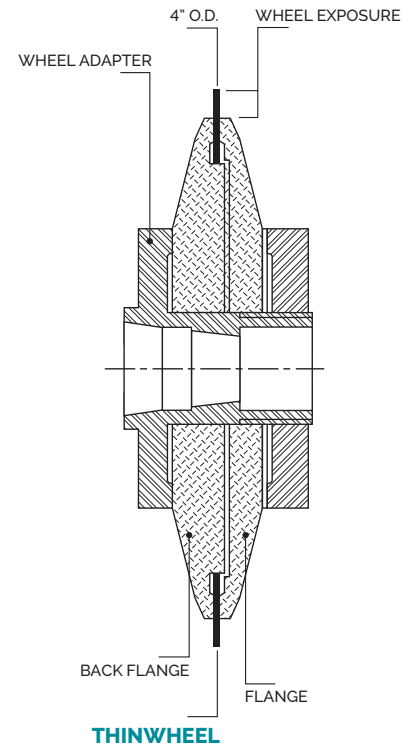
METAL BOND Diamond and CBN
 Slotting • Slicing • Dicing • Cut-off

OUTSIDE DIAMETER: 4" INSIDE DIAMETER: 2.75"

➤ **Maximum grit size for the 1A8 Metal Bond wheels is 325/400 mesh or finer.**
 ROUGHER GRIT SIZES MAY BE AVAILABLE UPON REQUEST,
 BUT THE THICKNESS TOLERANCE MAY VARY AS A RESULT.

Thinwheels available in thickness from .007"-.250"
 in increments of .001" or a fraction thereof.

3 PIECE MINIMUM ORDER



SUPERABRASIVE SOLID TO HOLE

WHEEL THICKNESS	THICKNESS TOLERANCE	DIAMOND	CBN
007"-.009"	+0/-0.0004"	\$182.00	\$194.00
.010"-.025"	+0/-0.0004"	\$158.00	\$183.00
.026"-.050"	+0/-0.0004"	\$183.00	\$230.00
.051"-.075"	+0/-0.0004"	\$206.00	\$272.00
.076"-.100"	+0/-0.0004"	\$227.00	\$309.00
.101"-.125"	+0/-0.0004"	\$243.00	\$342.00
.126"-.150"	+0/-0.0004"	\$260.00	\$369.00
.151"-.175"	+0/-0.0004"	\$272.00	\$392.00
.176"-.200"	+0/-0.0004"	\$282.00	\$410.00
.201"-.225"	+0/-0.0004"	\$290.00	\$423.00
.226"-.250"	+0/-0.0004"	\$297.00	\$431.00

1A8 FLANGES FOR 4" THINWHEEL

A special Diacut flange must be used with the 4" Thinwheel.

PART NO.	DIAMETER	WHEEL EXPOSURE	PRICE
F1A8-485	3.85"	.075"	\$84
F1A8-470	3.70"	.150"	\$83
F1A8-455	3.55"	.225"	\$82
F1A8-440	3.40"	.300"	\$81
F1A8-425	2.25"	.375"	\$80
FS400	Complete set of flanges		\$399

Flange thickness for 4" Thinwheel is .650"
 Standard hole size for all flanges is 1.25"
 Special hole size- add \$10

WHEEL EXPOSURE NOT TO EXCEED 15 TIMES THE THICKNESS OF THE BLADE

WHEEL ADAPTERS

Keep grinding wheels mounted for longer wheel life and less dressing time.



WA200-1LH Wheel adapter O.D. 2-1/4" \$53

PRICES SUBJECT TO CHANGE WITHOUT NOTICE.
 PRICES EFFECTIVE AUGUST 1, 2017
 VISA/MASTERCARD ACCEPTED



P.O. Box 217, 773 Hwy. 105, Palmer Lake, CO 80133
 phone: **719-481-4205** fax: 719-488-0872
 email: **sales@diacut.com** web: www.diacut.com



5" DIAMETER SERIES

METAL BOND Diamond and CBN
 Slotting • Slicing • Dicing • Cut-off

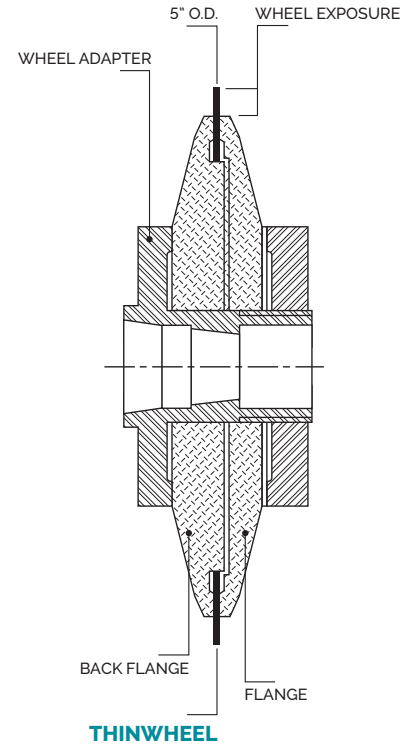
OUTSIDE DIAMETER: 5" INSIDE DIAMETER: 3.5"

➤ **Maximum grit size for the 1A8 Metal Bond wheels is 325/400 mesh or finer.**

ROUGHER GRIT SIZES MAY BE AVAILABLE UPON REQUEST, BUT THE THICKNESS TOLERANCE MAY VARY AS A RESULT.

Thinwheels available in thickness from .007"-.250" in increments of .001" or a fraction thereof.

3 PIECE MINIMUM ORDER



SUPERABRASIVE SOLID TO HOLE

WHEEL THICKNESS	THICKNESS TOLERANCE	DIAMOND	CBN
.010"-.025"	+0/-0.0004"	\$173.00	\$210.00
.026"-.050"	+0/-0.0004"	\$210.00	\$281.00
.051"-.075"	+0/-0.0004"	\$243.00	\$342.00
.076"-.100"	+0/-0.0004"	\$272.00	\$396.00
.101"-.125"	+0/-0.0004"	\$284.00	\$446.00
.126"-.150"	+0/-0.0004"	\$320.00	\$485.00
.151"-.175"	+0/-0.0004"	\$336.00	\$518.00
.176"-.200"	+0/-0.0004"	\$351.00	\$543.00
.201"-.225"	+0/-0.0004"	\$362.00	\$564.00
.226"-.250"	+0/-0.0004"	\$366.00	\$572.00

1A8 FLANGES FOR 5" THINWHEEL

A special Diacut flange must be used with the 5" Thinwheel.

PART NO.	DIAMETER	WHEEL EXPOSURE	PRICE
F1A8-575	4.75"	.125"	\$95
F1A8-560	4.60"	.200"	\$91
F1A8-545	4.45"	.275"	\$89
F1A8-530	4.30"	.350"	\$87
F1A8-515	4.15"	.425"	\$84
F1A8-500	4.00"	.500"	\$82
FS500	Complete set of flanges		\$492

Flange thickness for 5" Thinwheel is .650"

Standard hole size for all flanges is 1.25"

Special hole size- add \$10

WHEEL EXPOSURE NOT TO EXCEED 15 TIMES THE THICKNESS OF THE BLADE

WHEEL ADAPTERS

Keep grinding wheels mounted for longer wheel life and less dressing time.



WA200-1LH Wheel adapter O.D. 2-1/4" \$53

PRICES SUBJECT TO CHANGE WITHOUT NOTICE.
 PRICES EFFECTIVE AUGUST 1, 2017
 VISA/MASTERCARD ACCEPTED

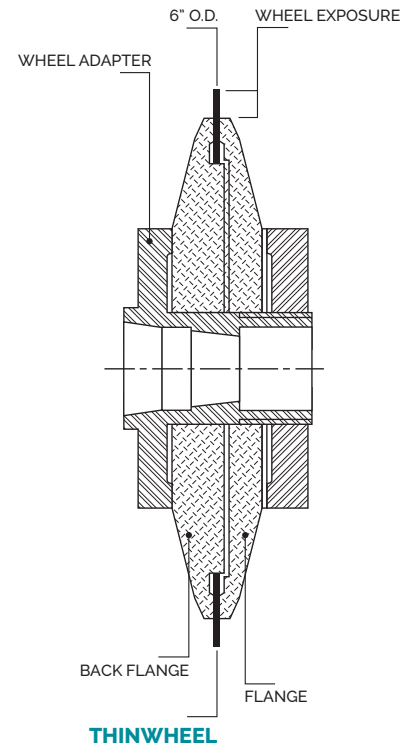


P.O. Box 217, 773 Hwy. 105, Palmer Lake, CO 80133
 phone: **719-481-4205** fax: 719-488-0872
 email: **sales@diacut.com** web: www.diacut.com



6" DIAMETER SERIES

METAL BOND Diamond and CBN
 Slotting • Slicing • Dicing • Cut-off



OUTSIDE DIAMETER: 6" INSIDE DIAMETER: 4.5"

➤ **Maximum grit size for the 1A8 Metal Bond wheels is 325/400 mesh or finer.**
 ROUGHER GRIT SIZES MAY BE AVAILABLE UPON REQUEST, BUT THE THICKNESS TOLERANCE MAY VARY AS A RESULT.

Thinwheels available in thickness from .015"-.250" in increments of .001" or a fraction thereof.

3 PIECE MINIMUM ORDER

SUPERABRASIVE SOLID TO HOLE

WHEEL THICKNESS	THICKNESS TOLERANCE	DIAMOND	CBN
.015"-.025"	+0/-0.0006"	\$188.00	\$237.00
.026"-.050"	+0/-0.0006"	\$233.00	\$321.00
.051"-.075"	+0/-0.0006"	\$273.00	\$396.00
.076"-.100"	+0/-0.0006"	\$308.00	\$462.00
.101"-.125"	+0/-0.0006"	\$338.00	\$521.00
.126"-.150"	+0/-0.0006"	\$362.00	\$567.00
.151"-.175"	+0/-0.0006"	\$386.00	\$609.00
.176"-.200"	+0/-0.0006"	\$402.00	\$641.00
.201"-.225"	+0/-0.0006"	\$416.00	\$660.00
.226"-.250"	+0/-0.0006"	\$423.00	\$672.00

1A8 FLANGES FOR 6" THINWHEEL

A special Diacut flange must be used with the 6" Thinwheel.

PART NO.	DIAMETER	WHEEL EXPOSURE	PRICE
F1A8-675	5.75"	.125"	\$114
F1A8-660	5.60"	.200"	\$112
F1A8-645	5.45"	.275"	\$110
F1A8-630	5.30"	.350"	\$108
F1A8-615	5.15"	.425"	\$105
F1A8-600	5.00"	.500"	\$103
FS600	Complete set of flanges		\$618

Flange thickness for 6" Thinwheel is .700"
 Standard hole size for all flanges is 1.25"
 Special hole size- add \$10

WHEEL EXPOSURE NOT TO EXCEED 15 TIMES THE THICKNESS OF THE BLADE

WHEEL ADAPTERS

Keep grinding wheels mounted for longer wheel life and less dressing time.



WA130-LH Wheel adapter O.D. 3" \$145

PRICES SUBJECT TO CHANGE WITHOUT NOTICE.
 PRICES EFFECTIVE AUGUST 1, 2017
 VISA/MASTERCARD ACCEPTED



P.O. Box 217, 773 Hwy. 105, Palmer Lake, CO 80133
 phone: **719-481-4205** fax: 719-488-0872
 email: **sales@diacut.com** web: www.diacut.com



7" DIAMETER SERIES

METAL BOND Diamond and CBN
 Slotting • Slicing • Dicing • Cut-off

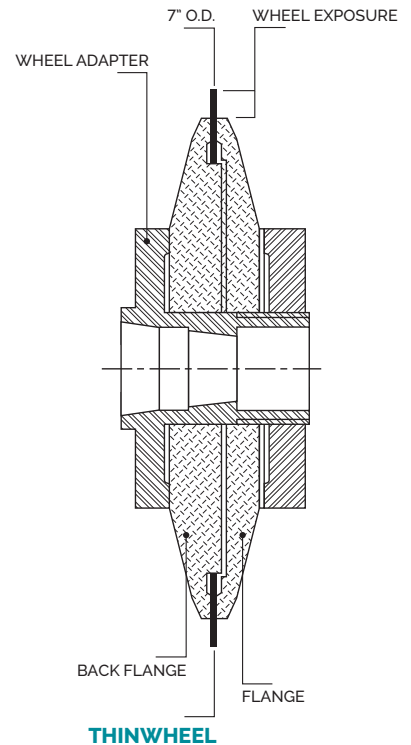
OUTSIDE DIAMETER: 7" INSIDE DIAMETER: 5.5"

➤ **Maximum grit size for the 1A8 Metal Bond wheels is 325/400 mesh or finer.**

ROUGHER GRIT SIZES MAY BE AVAILABLE UPON REQUEST, BUT THE THICKNESS TOLERANCE MAY VARY AS A RESULT.

Thinwheels available in thickness from .020"-.250" in increments of .001" or a fraction thereof.

3 PIECE MINIMUM ORDER



SUPERABRASIVE SOLID TO HOLE

WHEEL THICKNESS	THICKNESS TOLERANCE	DIAMOND	CBN
.020"-.025"	+0/-0.0006"	\$213.00	\$267.00
.026"-.050"	+0/-0.0006"	\$266.00	\$377.00
.051"-.075"	+0/-0.0006"	\$312.00	\$459.00
.076"-.100"	+0/-0.0006"	\$354.00	\$539.00
.101"-.125"	+0/-0.0006"	\$389.00	\$606.00
.126"-.150"	+0/-0.0006"	\$420.00	\$665.00
.151"-.175"	+0/-0.0006"	\$444.00	\$710.00
.176"-.200"	+0/-0.0006"	\$464.00	\$746.00
.201"-.225"	+0/-0.0006"	\$479.00	\$771.00
.226"-.250"	+0/-0.0006"	\$486.00	\$785.00

1A8 FLANGES FOR 7" THINWHEEL

A special Diacut flange must be used with the 7" Thinwheel.

PART NO.	DIAMETER	WHEEL EXPOSURE	PRICE
F1A8-775	6.75"	.125"	\$142
F1A8-760	6.60"	.200"	\$139
F1A8-745	6.45"	.275"	\$136
F1A8-730	6.30"	.350"	\$133
F1A8-715	6.15"	.425"	\$130
F1A8-700	6.00"	.500"	\$126
FS700	Complete set of flanges		\$756

Flange thickness for 7" Thinwheel is .750"

Standard hole size for all flanges is 1.25"

Special hole size- add \$10

WHEEL EXPOSURE NOT TO EXCEED 15 TIMES THE THICKNESS OF THE BLADE

WHEEL ADAPTERS

Keep grinding wheels mounted for longer wheel life and less dressing time.



WA130-LH Wheel adapter O.D. 3" \$145

PRICES SUBJECT TO CHANGE WITHOUT NOTICE.
 PRICES EFFECTIVE AUGUST 1, 2017
 VISA/MASTERCARD ACCEPTED