

High Quality Diamond and CBN

# THINWHEELS™

**NEW!**



**DIACUT**  
THINWHEEL™

719-481-4205 • fax 719-488-0872 • [sales@diacut.com](mailto:sales@diacut.com) • [www.diacut.com](http://www.diacut.com)

A LEADING MANUFACTURER OF **DIAMOND AND CBN BLADES**



P.O. Box 217, 773 Hwy. 105, Palmer Lake, CO 80133  
 phone: **719-481-4205** fax: 719-488-0872  
 email: **sales@diacut.com** web: www.diacut.com



# 3" DIAMETER SERIES

**METAL BOND** Diamond and CBN  
 Slotting • Slicing • Dicing • Cut-off

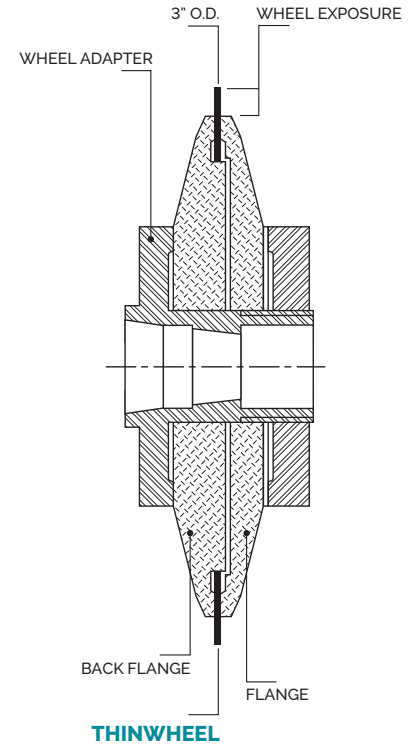
**OUTSIDE DIAMETER: 3" INSIDE DIAMETER: 1.75"**

➤ **Maximum grit size for the 1A8 Metal Bond wheels is 325/400 mesh or finer.**

ROUGHER GRIT SIZES MAY BE AVAILABLE UPON REQUEST, BUT THE THICKNESS TOLERANCE MAY VARY AS A RESULT.

Thinwheels available in thickness from .007"-.250" in increments of .001" or a fraction thereof.

### 3 PIECE MINIMUM ORDER



#### SUPERABRASIVE SOLID TO HOLE

WHEEL THICKNESS	THICKNESS TOLERANCE	DIAMOND	CBN
.007"-.009"	+0/-0.0004"	\$ 190.00	\$ 206.00
.010"-.025"	+0/-0.0004"	\$ 158.00	\$ 182.00
.026"-.050"	+0/-0.0004"	\$ 179.00	\$ 224.00
.051"-.075"	+0/-0.0004"	\$ 198.00	\$ 259.00
.076"-.100"	+0/-0.0004"	\$ 219.00	\$ 289.00
.101"-.125"	+0/-0.0004"	\$ 235.00	\$ 320.00
.126"-.150"	+0/-0.0004"	\$ 251.00	\$ 346.00
.151"-.175"	+0/-0.0004"	\$ 267.00	\$ 365.00
.176"-.200"	+0/-0.0004"	\$ 282.00	\$ 382.00
.201"-.225"	+0/-0.0004"	\$ 295.00	\$ 394.00
.226"-.250"	+0/-0.0004"	\$ 304.00	\$ 402.00

PRICES SUBJECT TO CHANGE WITHOUT NOTICE.  
 PRICES EFFECTIVE AUGUST 1, 2017  
 VISA/MASTERCARD ACCEPTED

#### 1A8 FLANGES FOR 3" THINWHEEL

A special Diacut flange must be used with the 3" Thinwheel.

PART NO.	DIAMETER	WHEEL EXPOSURE	PRICE
FA8-385	2.85"	.075"	\$ 71
FA8-370	2.70"	.150"	\$ 70
FA8-355	2.55"	.225"	\$ 68
FA8-340*	2.40"	.300"	\$ 67
FA8-325*	2.25"	.375"	\$ 66
FS300	Complete set of flanges		\$ 327

Flange thickness for 3" Thinwheel is .400"  
 Standard hole size for all flanges is 1.25"  
 Special hole size- add \$10

**WHEEL EXPOSURE NOT TO EXCEED 15 TIMES THE THICKNESS OF THE BLADE**

#### WHEEL ADAPTERS

Keep grinding wheels mounted for longer wheel life and less dressing time.



WA200-1LH	Wheel adapter O.D. 2-1/4"	\$60
*WAX200-1LH	Wheel adapter O.D. 1-3/4"	\$110



P.O. Box 217, 773 Hwy. 105, Palmer Lake, CO 80133  
 phone: **719-481-4205** fax: 719-488-0872  
 email: **sales@diacut.com** web: www.diacut.com



# 4" DIAMETER SERIES

**METAL BOND** Diamond and CBN  
 Slotting • Slicing • Dicing • Cut-off

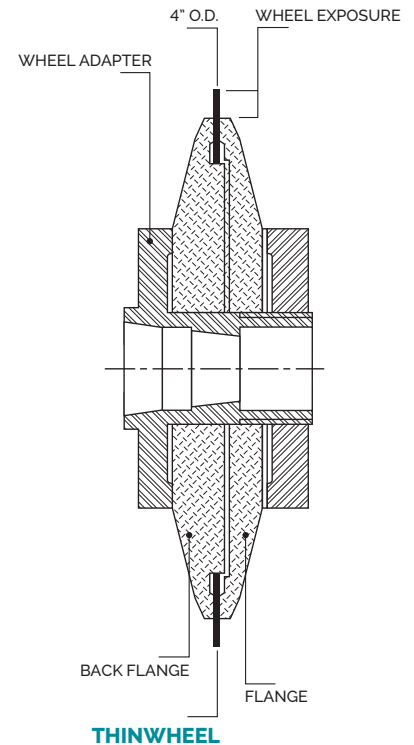
**OUTSIDE DIAMETER: 4" INSIDE DIAMETER: 2.75"**

➤ **Maximum grit size for the 1A8 Metal Bond wheels is 325/400 mesh or finer.**

ROUGHER GRIT SIZES MAY BE AVAILABLE UPON REQUEST, BUT THE THICKNESS TOLERANCE MAY VARY AS A RESULT.

Thinwheels available in thickness from .007"-.250" in increments of .001" or a fraction thereof.

### 3 PIECE MINIMUM ORDER



#### SUPERABRASIVE SOLID TO HOLE

WHEEL THICKNESS	THICKNESS TOLERANCE	DIAMOND	CBN
.007"-.009"	+0/-0.0004"	\$ 195.00	\$208.00
.010"-.025"	+0/-0.0004"	\$ 170.00	\$ 196.00
.026"-.050"	+0/-0.0004"	\$ 196.00	\$247.00
.051"-.075"	+0/-0.0004"	\$ 221.00	\$292.00
.076"-.100"	+0/-0.0004"	\$ 243.00	\$ 331.00
.101"-.125"	+0/-0.0004"	\$ 261.00	\$366.00
.126"-.150"	+0/-0.0004"	\$ 279.00	\$ 395.00
.151"-.175"	+0/-0.0004"	\$ 292.00	\$420.00
.176"-.200"	+0/-0.0004"	\$ 302.00	\$ 439.00
.201"-.225"	+0/-0.0004"	\$ 311.00	\$ 453.00
.226"-.250"	+0/-0.0004"	\$ 318.00	\$462.00

#### 1A8 FLANGES FOR 4" THINWHEEL

A special Diacut flange must be used with the 4" Thinwheel.

PART NO.	DIAMETER	WHEEL EXPOSURE	PRICE
F1A8-485	3.85"	.075"	\$ 90
F1A8-470	3.70"	.150"	\$ 89
F1A8-455	3.55"	.225"	\$ 88
F1A8-440	3.40"	.300"	\$ 87
F1A8-425	2.25"	.375"	\$ 86
FS400	Complete set of flanges		\$427

Flange thickness for 4" Thinwheel is .650"

Standard hole size for all flanges is 1.25"

Special hole size- add \$10

**WHEEL EXPOSURE NOT TO EXCEED 15 TIMES THE THICKNESS OF THE BLADE**

#### WHEEL ADAPTERS

Keep grinding wheels mounted for longer wheel life and less dressing time.



WA200-1LH Wheel adapter O.D. 2-1/4" \$60

PRICES SUBJECT TO CHANGE WITHOUT NOTICE.  
 PRICES EFFECTIVE APRIL 1, 2019  
 VISA/MASTERCARD ACCEPTED



P.O. Box 217, 773 Hwy. 105, Palmer Lake, CO 80133  
 phone: **719-481-4205** fax: 719-488-0872  
 email: **sales@diacut.com** web: www.diacut.com



# 5" DIAMETER SERIES

**METAL BOND** Diamond and CBN  
 Slotting • Slicing • Dicing • Cut-off

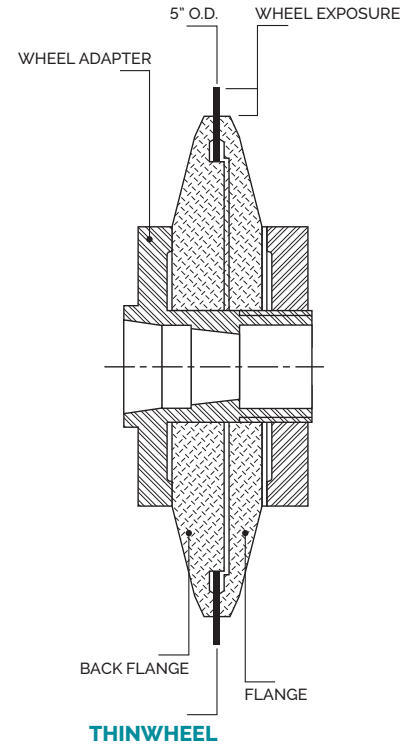
**OUTSIDE DIAMETER: 5" INSIDE DIAMETER: 3.5"**

➤ **Maximum grit size for the 1A8 Metal Bond wheels is 325/400 mesh or finer.**

ROUGHER GRIT SIZES MAY BE AVAILABLE UPON REQUEST, BUT THE THICKNESS TOLERANCE MAY VARY AS A RESULT.

Thinwheels available in thickness from .007"-.250" in increments of .001" or a fraction thereof.

### 3 PIECE MINIMUM ORDER



### SUPERABRASIVE SOLID TO HOLE

WHEEL THICKNESS	THICKNESS TOLERANCE	DIAMOND	CBN
.010"-.025"	+0/-0.0004"	\$186.00	\$225.00
.026"-.050"	+0/-0.0004"	\$225.00	\$301.00
.051"-.075"	+0/-0.0004"	\$261.00	\$366.00
.076"-.100"	+0/-0.0004"	\$292.00	\$424.00
.101"-.125"	+0/-0.0004"	\$304.00	\$478.00
.126"-.150"	+0/-0.0004"	\$343.00	\$519.00
.151"-.175"	+0/-0.0004"	\$360.00	\$556.00
.176"-.200"	+0/-0.0004"	\$376.00	\$582.00
.201"-.225"	+0/-0.0004"	\$388.00	\$604.00
.226"-.250"	+0/-0.0004"	\$392.00	\$613.00

### 1A8 FLANGES FOR 5" THINWHEEL

A special Diacut flange must be used with the 5" Thinwheel.

PART NO.	DIAMETER	WHEEL EXPOSURE	PRICE
FIA8-575	4.75"	.125"	\$102
FIA8-560	4.60"	.200"	\$98
FIA8-545	4.45"	.275"	\$96
FIA8-530	4.30"	.350"	\$94
FIA8-515	4.15"	.425"	\$90
FIA8-500	4.00"	.500"	\$88
FS500	Complete set of flanges		\$527

Flange thickness for 5" Thinwheel is .650"

Standard hole size for all flanges is 1.25"

Special hole size- add \$10

**WHEEL EXPOSURE NOT TO EXCEED 15 TIMES THE THICKNESS OF THE BLADE**

### WHEEL ADAPTERS

Keep grinding wheels mounted for longer wheel life and less dressing time.



WA200-1LH Wheel adapter O.D. 2-1/4" \$60

PRICES SUBJECT TO CHANGE WITHOUT NOTICE.  
 PRICES EFFECTIVE APRIL 1, 2019  
 VISA/MASTERCARD ACCEPTED

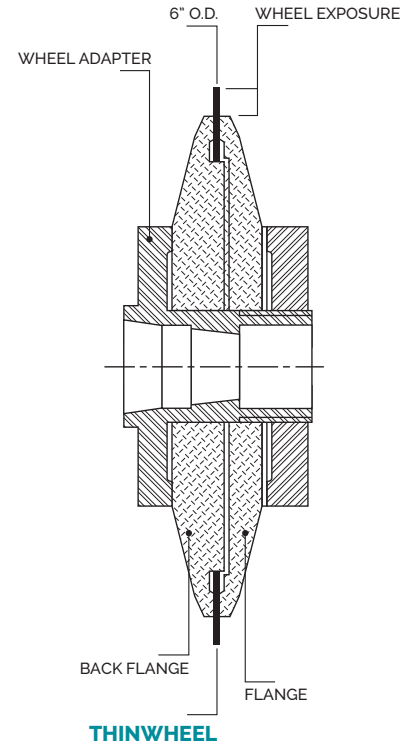


P.O. Box 217, 773 Hwy. 105, Palmer Lake, CO 80133  
 phone: **719-481-4205** fax: 719-488-0872  
 email: **sales@diacut.com** web: www.diacut.com



# 6" DIAMETER SERIES

**METAL BOND** Diamond and CBN  
 Slotting • Slicing • Dicing • Cut-off



**OUTSIDE DIAMETER: 6" INSIDE DIAMETER: 4.5"**

➤ **Maximum grit size for the 1A8 Metal Bond wheels is 325/400 mesh or finer.**  
 ROUGHER GRIT SIZES MAY BE AVAILABLE UPON REQUEST, BUT THE THICKNESS TOLERANCE MAY VARY AS A RESULT.

Thinwheels available in thickness from .015"-.250" in increments of .001" or a fraction thereof.

### 3 PIECE MINIMUM ORDER

#### SUPERABRASIVE SOLID TO HOLE

WHEEL THICKNESS	THICKNESS TOLERANCE	DIAMOND	CBN
.015"-.025"	+0/-0.0006"	\$202.00	\$254.00
.026"-.050"	+0/-0.0006"	\$250.00	\$344.00
.051"-.075"	+0/-0.0006"	\$293.00	\$424.00
.076"-.100"	+0/-0.0006"	\$330.00	\$495.00
.101"-.125"	+0/-0.0006"	\$362.00	\$558.00
.126"-.150"	+0/-0.0006"	\$388.00	\$607.00
.151"-.175"	+0/-0.0006"	\$414.00	\$652.00
.176"-.200"	+0/-0.0006"	\$431.00	\$686.00
.201"-.225"	+0/-0.0006"	\$446.00	\$707.00
.226"-.250"	+0/-0.0006"	\$453.00	\$720.00

#### 1A8 FLANGES FOR 6" THINWHEEL

A special Diacut flange must be used with the 6" Thinwheel.

PART NO.	DIAMETER	WHEEL EXPOSURE	PRICE
F1A8-675	5.75"	.125"	\$122
F1A8-660	5.60"	.200"	\$120
F1A8-645	5.45"	.275"	\$118
F1A8-630	5.30"	.350"	\$116
F1A8-615	5.15"	.425"	\$113
F1A8-600	5.00"	.500"	\$111
FS600	Complete set of flanges		\$662

Flange thickness for 6" Thinwheel is .700"  
 Standard hole size for all flanges is 1.25"  
 Special hole size- add \$10  
**WHEEL EXPOSURE NOT TO EXCEED 15 TIMES THE THICKNESS OF THE BLADE**

#### WHEEL ADAPTERS

Keep grinding wheels mounted for longer wheel life and less dressing time.



WA130-LH Wheel adapter O.D. 3" \$145

PRICES SUBJECT TO CHANGE WITHOUT NOTICE.  
 PRICES EFFECTIVE APRIL 1, 2019  
 VISA/MASTERCARD ACCEPTED





P.O. Box 217, 773 Hwy. 105, Palmer Lake, CO 80133  
 phone: **719-481-4205** fax: 719-488-0872  
 email: **sales@diacut.com** web: www.diacut.com



# 7" DIAMETER SERIES

**METAL BOND** Diamond and CBN  
 Slotting • Slicing • Dicing • Cut-off

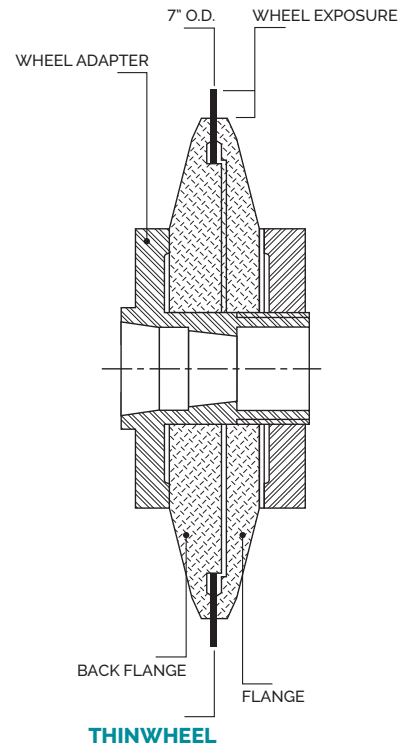
**OUTSIDE DIAMETER: 7" INSIDE DIAMETER: 5.5"**

➤ **Maximum grit size for the 1A8 Metal Bond wheels is 325/400 mesh or finer.**

ROUGHER GRIT SIZES MAY BE AVAILABLE UPON REQUEST, BUT THE THICKNESS TOLERANCE MAY VARY AS A RESULT.

Thinwheels available in thickness from .020"-.250" in increments of .001" or a fraction thereof.

### 3 PIECE MINIMUM ORDER



#### SUPERABRASIVE SOLID TO HOLE

WHEEL THICKNESS	THICKNESS TOLERANCE	DIAMOND	CBN
.020"-.025"	+0/-0.0006"	\$228.00	\$286.00
.026"-.050"	+0/-0.0006"	\$285.00	\$404.00
.051"-.075"	+0/-0.0006"	\$334.00	\$492.00
.076"-.100"	+0/-0.0006"	\$379.00	\$577.00
.101"-.125"	+0/-0.0006"	\$417.00	\$649.00
.126"-.150"	+0/-0.0006"	\$450.00	\$712.00
.151"-.175"	+0/-0.0006"	\$476.00	\$760.00
.176"-.200"	+0/-0.0006"	\$497.00	\$799.00
.201"-.225"	+0/-0.0006"	\$513.00	\$825.00
.226"-.250"	+0/-0.0006"	\$521.00	\$840.00

#### 1A8 FLANGES FOR 7" THINWHEEL

A special Diacut flange must be used with the 7" Thinwheel.

PART NO.	DIAMETER	WHEEL EXPOSURE	PRICE
FIA8-775	6.75"	.125"	\$152
FIA8-760	6.60"	.200"	\$149
FIA8-745	6.45"	.275"	\$146
FIA8-730	6.30"	.350"	\$143
FIA8-715	6.15"	.425"	\$140
FIA8-700	6.00"	.500"	\$135
FS700	Complete set of flanges		\$809

Flange thickness for 7" Thinwheel is .750"

Standard hole size for all flanges is 1.25"

Special hole size- add \$10

**WHEEL EXPOSURE NOT TO EXCEED 15 TIMES THE THICKNESS OF THE BLADE**

#### WHEEL ADAPTERS

Keep grinding wheels mounted for longer wheel life and less dressing time.



WA130-LH Wheel adapter O.D. 3" \$145

PRICES SUBJECT TO CHANGE WITHOUT NOTICE.  
 PRICES EFFECTIVE APRIL 1, 2019  
 VISA/MASTERCARD ACCEPTED