



P.O. Box 217, 773 Hwy. 105, Palmer Lake, CO 80133
 phone: **719-481-4205** fax: 719-488-0872
 email: **sales@diacut.com** web: www.diacut.com



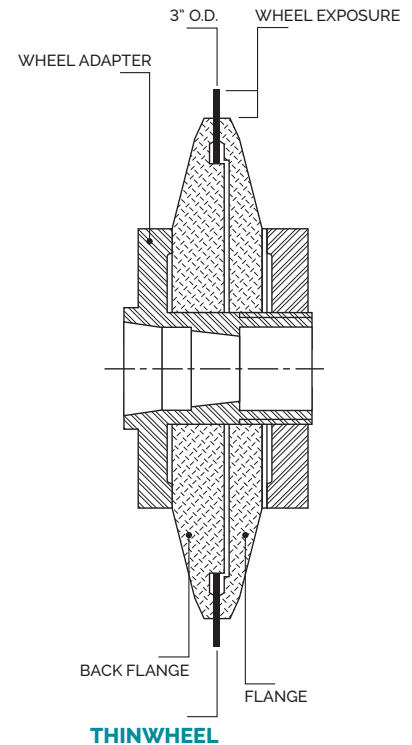
3" DIAMETER SERIES

RESIN BOND Diamond and CBN
 Slotting • Slicing • Dicing • Cut-off

OUTSIDE DIAMETER: 3" INSIDE DIAMETER: 1.75"

Thinwheels available in thickness from .004"-.250" in increments of .001" or a fraction thereof.

Thickness Tolerance: Standard +.0/- .0004" Special +.0/- .0002"



SUPERABRASIVE SOLID TO HOLE

WHEEL THICKNESS	TOLERANCE	DIAMOND	CBN
.004"-.006"	Special	\$133.00	NA
.007"-.009"	Standard	\$118.00	\$128.00
	Special	\$124.00	\$134.00
.010"-.025"	Standard	\$98.00	\$113.00
	Special	\$104.00	\$119.00
.026"-.050"	Standard	\$111.00	\$139.00
	Special	\$117.00	\$145.00
.051"-.075"	Standard	\$123.00	\$161.00
	Special	\$130.00	\$167.00
.076"-.100"	Standard	\$136.00	\$180.00
	Special	\$142.00	\$186.00
.101"-.125"	Standard	\$146.00	\$199.00
	Special	\$153.00	\$205.00
.126"-.150"	Standard	\$156.00	\$215.00
	Special	\$162.00	\$221.00
.151"-.175"	Standard	\$166.00	\$227.00
	Special	\$173.00	\$234.00
.176"-.200"	Standard	\$175.00	\$238.00
	Special	\$181.00	\$244.00
.201"-.225"	Standard	\$183.00	\$245.00
	Special	\$189.00	\$251.00
.226"-.250"	Standard	\$189.00	\$250.00
	Special	\$196.00	\$257.00

NOTE: Add 10% for Copper Bond (RLE)

1A8 FLANGES FOR 3" THINWHEEL

A special Diacut flange must be used with the 3" Thinwheel.

PART NO.	DIAMETER	WHEEL EXPOSURE	PRICE
F1A8-385	2.85"	.075"	\$66
F1A8-370	2.70"	.150"	\$65
F1A8-355	2.55"	.225"	\$63
F1A8-340*	2.40"	.300"	\$62
F1A8-325*	2.25"	.375"	\$61
FS300	Complete set of flanges		\$305

Flange thickness for 3" Thinwheel is .400"
 Standard hole size for all flanges is 1.25"
 Special hole size- add \$10

WHEEL EXPOSURE NOT TO EXCEED 15 TIMES THE THICKNESS OF THE BLADE

WHEEL ADAPTERS

Keep grinding wheels mounted for longer wheel life and less dressing time.



WA200-1LH	Wheel adapter O.D. 2-1/4"	\$53
*WAX200-1LH	Wheel adapter O.D. 1-3/4"	\$95

PRICES SUBJECT TO CHANGE WITHOUT NOTICE.
 EFFECTIVE JUNE 1, 2014 • VISA/MASTERCARD ACCEPTED



P.O. Box 217, 773 Hwy. 105, Palmer Lake, CO 80133
 phone: **719-481-4205** fax: 719-488-0872
 email: **sales@diacut.com** web: www.diacut.com



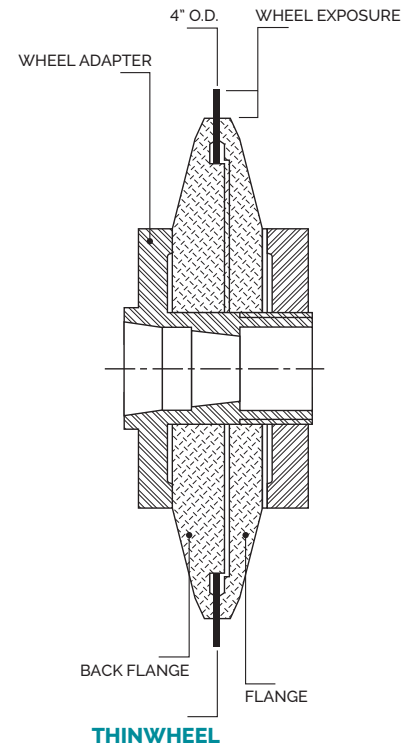
4" DIAMETER SERIES

RESIN BOND Diamond and CBN
 Slotting • Slicing • Dicing • Cut-off

OUTSIDE DIAMETER: 4" INSIDE DIAMETER: 2.75"

Thinwheels available in thickness from .004"-.250" in increments of .001" or a fraction thereof.

Thickness Tolerance: Standard +.0/-0.0004" Special +.0/-0.0002"



SUPERABRASIVE SOLID TO HOLE

WHEEL THICKNESS	TOLERANCE	DIAMOND	CBN
.004"-.006"	Special	\$131.00	NA
.007"-.009"	Standard	\$121.00	\$129.00
	Special	\$130.00	\$137.00
.010"-.025"	Standard	\$105.00	\$122.00
	Special	\$114.00	\$131.00
.026"-.050"	Standard	\$122.00	\$153.00
	Special	\$131.00	\$161.00
.051"-.075"	Standard	\$137.00	\$181.00
	Special	\$145.00	\$189.00
.076"-.100"	Standard	\$151.00	\$206.00
	Special	\$160.00	\$215.00
.101"-.125"	Standard	\$162.00	\$228.00
	Special	\$171.00	\$237.00
.126"-.150"	Standard	\$173.00	\$246.00
	Special	\$181.00	\$255.00
.151"-.175"	Standard	\$181.00	\$261.00
	Special	\$189.00	\$269.00
.176"-.200"	Standard	\$188.00	\$273.00
	Special	\$197.00	\$282.00
.201"-.225"	Standard	\$193.00	\$282.00
	Special	\$201.00	\$290.00
.226"-.250"	Standard	\$198.00	\$287.00
	Special	\$206.00	\$296.00

NOTE: Add 10% for Copper Bond (RLE)

1A8 FLANGES FOR 4" THINWHEEL

A special Diacut flange must be used with the 4" Thinwheel.

PART NO.	DIAMETER	WHEEL EXPOSURE	PRICE
F1A8-485	3.85"	.075"	\$84
F1A8-470	3.70"	.150"	\$83
F1A8-455	3.55"	.225"	\$82
F1A8-440	3.40"	.300"	\$81
F1A8-425	2.25"	.375"	\$80
FS400	Complete set of flanges		\$399

Flange thickness for 4" Thinwheel is .650"
 Standard hole size for all flanges is 1.25"
 Special hole size- add \$10

WHEEL EXPOSURE NOT TO EXCEED 15 TIMES THE THICKNESS OF THE BLADE

WHEEL ADAPTERS

Keep grinding wheels mounted for longer wheel life and less dressing time.



WA200-1LH Wheel adapter O.D. 2-1/4" \$53

PRICES SUBJECT TO CHANGE WITHOUT NOTICE.
 EFFECTIVE JUNE 1, 2014 • VISA/MASTERCARD ACCEPTED



P.O. Box 217, 773 Hwy. 105, Palmer Lake, CO 80133
 phone: **719-481-4205** fax: 719-488-0872
 email: **sales@diacut.com** web: www.diacut.com



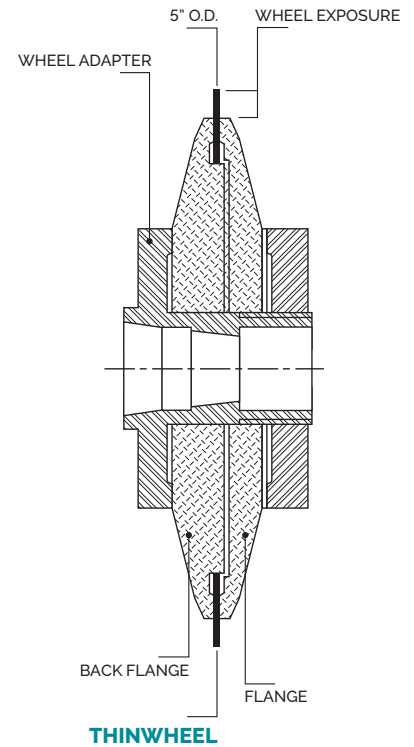
5" DIAMETER SERIES

RESIN BOND Diamond and CBN
 Slotting • Slicing • Dicing • Cut-off

OUTSIDE DIAMETER: 5" INSIDE DIAMETER: 3.5"

Thinwheels available in thickness from .004"-.250" in increments of .001" or a fraction thereof.

Thickness Tolerance: Standard +.0/- .0004" Special +.0/- .0002"



SUPERABRASIVE SOLID TO HOLE

WHEEL THICKNESS	TOLERANCE	DIAMOND	CBN
.004"-.006"	Special	\$137.00	NA
.007"-.009"	Standard	\$125.00	\$155.00
	Special	\$136.00	\$165.00
.010"-.025"	Standard	\$115.00	\$140.00
	Special	\$125.00	\$151.00
.026"-.050"	Standard	\$140.00	\$187.00
	Special	\$141.00	\$198.00
.051"-.075"	Standard	\$162.00	\$228.00
	Special	\$173.00	\$239.00
.076"-.100"	Standard	\$181.00	\$264.00
	Special	\$192.00	\$275.00
.101"-.125"	Standard	\$189.00	\$297.00
	Special	\$200.00	\$307.00
.126"-.150"	Standard	\$213.00	\$323.00
	Special	\$223.00	\$333.00
.151"-.175"	Standard	\$224.00	\$345.00
	Special	\$235.00	\$355.00
.176"-.200"	Standard	\$234.00	\$362.00
	Special	\$244.00	\$372.00
.201"-.225"	Standard	\$241.00	\$376.00
	Special	\$251.00	\$387.00
.226"-.250"	Standard	\$244.00	\$381.00
	Special	\$255.00	\$391.00

NOTE: Add 10% for Copper Bond (RLE)

1A8 FLANGES FOR 5" THINWHEEL

A special Diacut flange must be used with the 5" Thinwheel.

PART NO.	DIAMETER	WHEEL EXPOSURE	PRICE
F1A8-575	4.75"	.125"	\$95
F1A8-560	4.60"	.200"	\$91
F1A8-545	4.45"	.275"	\$89
F1A8-530	4.30"	.350"	\$87
F1A8-515	4.15"	.425"	\$84
F1A8-500	4.00"	.500"	\$82
FS500	Complete set of flanges		\$492

Flange thickness for 5" Thinwheel is .650"
 Standard hole size for all flanges is 1.25"
 Special hole size- add \$10

WHEEL EXPOSURE NOT TO EXCEED 15 TIMES THE THICKNESS OF THE BLADE

WHEEL ADAPTERS

Keep grinding wheels mounted for longer wheel life and less dressing time.



WA200-1LH Wheel adapter O.D. 2-1/4" \$53

PRICES SUBJECT TO CHANGE WITHOUT NOTICE.
 EFFECTIVE JUNE 1, 2014 • VISA/MASTERCARD ACCEPTED

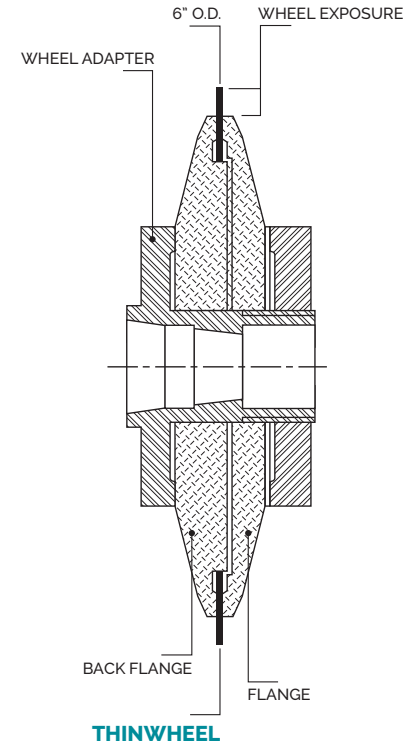


P.O. Box 217, 773 Hwy. 105, Palmer Lake, CO 80133
 phone: **719-481-4205** fax: 719-488-0872
 email: **sales@diacut.com** web: www.diacut.com



6" DIAMETER SERIES

RESIN BOND Diamond and CBN
 Slotting • Slicing • Dicing • Cut-off



OUTSIDE DIAMETER: 6" INSIDE DIAMETER: 4.5"

Thinwheels available in thickness from .004"-.250" in increments of .001" or a fraction thereof.

Thickness Tolerance: Standard +.0/-0.0004" Special +.0/-0.0002"

SUPERABRASIVE SOLID TO HOLE

WHEEL THICKNESS	TOLERANCE	DIAMOND	CBN
.004"-.006"	Special	\$150.00	NA
.007"-.009"	Standard	\$136.00	\$173.00
	Special	\$149.00	\$185.00
.010"-.025"	Standard	\$125.00	\$158.00
	Special	\$138.00	\$171.00
.026"-.050"	Standard	\$155.00	\$214.00
	Special	\$167.00	\$226.00
.051"-.075"	Standard	\$182.00	\$264.00
	Special	\$195.00	\$277.00
.076"-.100"	Standard	\$205.00	\$308.00
	Special	\$218.00	\$321.00
.101"-.125"	Standard	\$225.00	\$347.00
	Special	\$238.00	\$381.00
.126"-.150"	Standard	\$241.00	\$378.00
	Special	\$254.00	\$391.00
.151"-.175"	Standard	\$257.00	\$406.00
	Special	\$269.00	\$418.00
.176"-.200"	Standard	\$268.00	\$427.00
	Special	\$281.00	\$439.00
.201"-.225"	Standard	\$277.00	\$440.00
	Special	\$289.00	\$453.00
.226"-.250"	Standard	\$282.00	\$448.00
	Special	\$294.00	\$460.00

NOTE: Add 10% for Copper Bond (RLE)

1A8 FLANGES FOR 6" THINWHEEL

A special Diacut flange must be used with the 6" Thinwheel.

PART NO.	DIAMETER	WHEEL EXPOSURE	PRICE
F1A8-675	5.75"	.125"	\$114
F1A8-660	5.60"	.200"	\$112
F1A8-645	5.45"	.275"	\$110
F1A8-630	5.30"	.350"	\$108
F1A8-615	5.15"	.425"	\$105
F1A8-600	5.00"	.500"	\$103
FS600	Complete set of flanges		\$618

Flange thickness for 6" Thinwheel is .700"
 Standard hole size for all flanges is 1.25"
 Special hole size- add \$10

WHEEL EXPOSURE NOT TO EXCEED 15 TIMES THE THICKNESS OF THE BLADE

WHEEL ADAPTERS

Keep grinding wheels mounted for longer wheel life and less dressing time.



WA130-LH Wheel adapter O.D. 3" \$145

PRICES SUBJECT TO CHANGE WITHOUT NOTICE.
 EFFECTIVE JUNE 1, 2014 • VISA/MASTERCARD ACCEPTED



P.O. Box 217, 773 Hwy. 105, Palmer Lake, CO 80133
 phone: **719-481-4205** fax: 719-488-0872
 email: **sales@diacut.com** web: www.diacut.com



7" DIAMETER SERIES

RESIN BOND Diamond and CBN

Slotting • Slicing • Dicing • Cut-off

OUTSIDE DIAMETER: 7" INSIDE DIAMETER: 5.5"

Thinwheels available in thickness from .004"-.250" in increments of .001" or a fraction thereof.

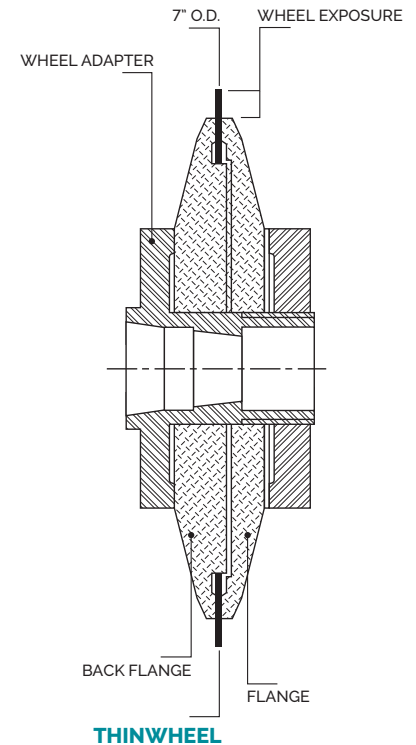
Thickness Tolerance: Standard ± 0.0004 " Special ± 0.0002 "

SUPERABRASIVE SOLID TO HOLE

WHEEL THICKNESS	TOLERANCE	DIAMOND	CBN
.010"-.025"	Standard	\$142.00	\$178.00
	Special	\$157.00	\$193.00
.026"-.050"	Standard	\$177.00	\$251.00
	Special	\$192.00	\$266.00
.051"-.075"	Standard	\$208.00	\$306.00
	Special	\$223.00	\$321.00
.076"-.100"	Standard	\$236.00	\$359.00
	Special	\$250.00	\$373.00
.101"-.125"	Standard	\$259.00	\$404.00
	Special	\$273.00	\$418.00
.126"-.150"	Standard	\$280.00	\$443.00
	Special	\$294.00	\$457.00
.151"-.175"	Standard	\$296.00	\$473.00
	Special	\$310.00	\$488.00
.176"-.200"	Standard	\$309.00	\$497.00
	Special	\$324.00	\$512.00
.201"-.225"	Standard	\$319.00	\$514.00
	Special	\$333.00	\$529.00
.226"-.250"	Standard	\$324.00	\$523.00
	Special	\$339.00	\$538.00

NOTE: Add 10% for Copper Bond (RLE)

PRICES SUBJECT TO CHANGE WITHOUT NOTICE.
 PRICES EFFECTIVE JUNE 1, 2014
 VISA/MASTERCARD ACCEPTED



1A8 FLANGES FOR 7" THINWHEEL

A special Diacut flange must be used with the 7" Thinwheel.

PART NO.	DIAMETER	WHEEL EXPOSURE	PRICE
F1A8-775	6.75"	.125"	\$142
F1A8-760	6.60"	.200"	\$139
F1A8-745	6.45"	.275"	\$136
F1A8-730	6.30"	.350"	\$133
F1A8-715	6.15"	.425"	\$130
F1A8-700	6.00"	.500"	\$126
FS700	Complete set of flanges		\$756

Flange thickness for 7" Thinwheel is .750"
 Standard hole size for all flanges is 1.25"
 Special hole size- add \$10

WHEEL EXPOSURE NOT TO EXCEED 15 TIMES THE THICKNESS OF THE BLADE

WHEEL ADAPTERS

Keep grinding wheels mounted for longer wheel life and less dressing time.



WA130-LH Wheel adapter O.D. 3" \$145



P.O. Box 217, 773 Hwy. 105, Palmer Lake, CO 80133
 phone: **719-481-4205** fax: 719-488-0872
 email: **sales@diacut.com** web: www.diacut.com



8" DIAMETER SERIES

RESIN BOND Diamond and CBN

Slotting • Slicing • Dicing • Cut-off

OUTSIDE DIAMETER: 8" INSIDE DIAMETER: 6.5"

Thinwheels available in thickness from .010"-.250"
 in increments of .001" or a fraction thereof.

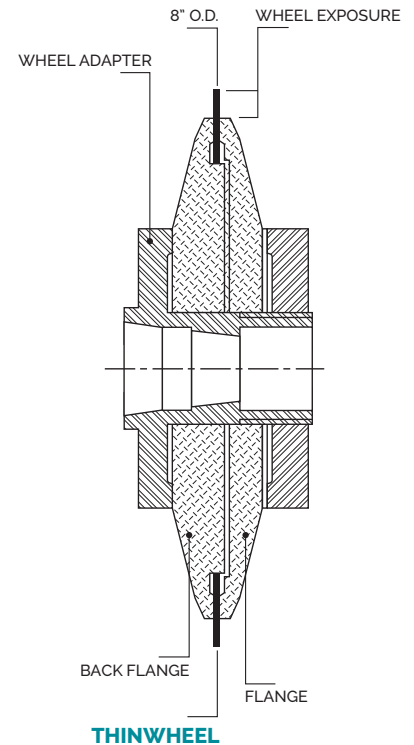
Thickness Tolerance: Standard +.0/- .001" Special +.0/- .0005"

SUPERABRASIVE SOLID TO HOLE

WHEEL THICKNESS	TOLERANCE	DIAMOND	CBN
.010"-.025"	Standard	\$168.00	\$210.00
	Special	\$183.00	\$227.00
.026"-.050"	Standard	\$198.00	\$278.00
	Special	\$215.00	\$294.00
.051"-.075"	Standard	\$234.00	\$347.00
	Special	\$250.00	\$364.00
.076"-.100"	Standard	\$265.00	\$408.00
	Special	\$282.00	\$425.00
.101"-.125"	Standard	\$292.00	\$460.00
	Special	\$309.00	\$477.00
.126"-.150"	Standard	\$315.00	\$504.00
	Special	\$332.00	\$521.00
.151"-.175"	Standard	\$334.00	\$540.00
	Special	\$351.00	\$557.00
.176"-.200"	Standard	\$349.00	\$567.00
	Special	\$366.00	\$584.00
.201"-.225"	Standard	\$360.00	\$586.00
	Special	\$376.00	\$603.00
.226"-.250"	Standard	\$368.00	\$597.00
	Special	\$387.00	\$614.00

NOTE: Add 10% for Copper Bond (RLE)

PRICES SUBJECT TO CHANGE WITHOUT NOTICE.
 PRICES EFFECTIVE JUNE 1, 2014
 VISA/MASTERCARD ACCEPTED



1A8 FLANGES FOR 8" THINWHEEL

A special Diacut flange must be used with the 8" Thinwheel.

PART NO.	DIAMETER	WHEEL EXPOSURE	PRICE
F1A8-875	7.75"	.125"	\$167
F1A8-860	7.60"	.200"	\$164
F1A8-845	7.45"	.275"	\$161
F1A8-830	7.30"	.350"	\$158
F1A8-815	7.15"	.425"	\$155
F1A8-800	7.00"	.500"	\$152
FS800	Complete set of flanges		\$908

Flange thickness for 8" Thinwheel is .800"

Standard hole size for all flanges is 1.25"

Special hole size- add \$10

WHEEL EXPOSURE NOT TO EXCEED 15 TIMES THE THICKNESS OF THE BLADE

WHEEL ADAPTERS

Keep grinding wheels mounted for longer wheel life and less dressing time.



WA130-LH Wheel adapter O.D. 3" \$145



P.O. Box 217, 773 Hwy. 105, Palmer Lake, CO 80133
 phone: **719-481-4205** fax: 719-488-0872
 email: **sales@diacut.com** web: www.diacut.com



10" DIAMETER SERIES

RESIN BOND Diamond and CBN

Slotting • Slicing • Dicing • Cut-off

OUTSIDE DIAMETER: 10" INSIDE DIAMETER: 8.5"

Thinwheels available in thickness from .010"-.250" in increments of .001" or a fraction thereof.

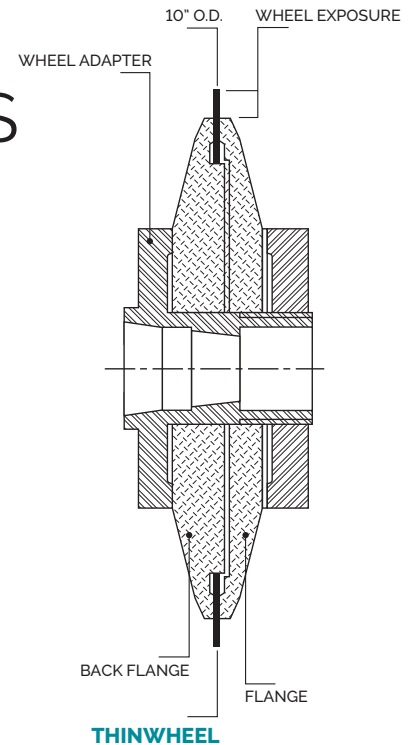
Thickness Tolerance: Standard +.0/-0.001" Special +.0/-0.0005"

SUPERABRASIVE SOLID TO HOLE

WHEEL THICKNESS	TOLERANCE	DIAMOND	CBN
.010"-.025"	Standard	ON REQUEST	
	Special	ON REQUEST	
.026"-.050"	Standard	\$266.00	\$394.00
	Special	\$287.00	\$415.00
.051"-.075"	Standard	\$292.00	\$445.00
	Special	\$313.00	\$466.00
.076"-.100"	Standard	\$390.00	\$527.00
	Special	\$354.00	\$548.00
.101"-.125"	Standard	\$371.00	\$599.00
	Special	\$392.00	\$620.00
.126"-.150"	Standard	\$403.00	\$660.00
	Special	\$424.00	\$681.00
.151"-.175"	Standard	\$429.00	\$710.00
	Special	\$450.00	\$731.00
.176"-.200"	Standard	\$507.00	\$749.00
	Special	\$471.00	\$770.00
.201"-.225"	Standard	\$466.00	\$783.00
	Special	\$486.00	\$804.00
.226"-.250"	Standard	\$475.00	\$796.00
	Special	\$601.00	\$817.00

NOTE: Add 10% for Copper Bond (RLE)

PRICES SUBJECT TO CHANGE WITHOUT NOTICE.
 PRICES EFFECTIVE JUNE 1, 2014
 VISA/MASTERCARD ACCEPTED



1A8 FLANGES FOR 10" THINWHEEL

A special Diacut flange must be used with the 10" Thinwheel.

PART NO.	DIAMETER	WHEEL EXPOSURE	PRICE
F1A8-1075	9.75"	.125"	\$270
F1A8-1060	9.60"	.200"	\$265
F1A8-1045	9.45"	.275"	\$260
F1A8-1030	9.30"	.350"	\$255
F1A8-1015	9.15"	.425"	\$250
F1A8-1000	9.00"	.500"	\$245

Flange thickness for 10" Thinwheel is 1"
 Standard hole size for all flanges is 1.25"
 Special hole size- add \$10

WHEEL EXPOSURE NOT TO EXCEED 15 TIMES THE THICKNESS OF THE BLADE

WHEEL ADAPTERS

Keep grinding wheels mounted for longer wheel life and less dressing time.

