

High Quality Diamond and CBN
THINWHEELS™



719-481-4205 • fax 719-488-0872 • sales@diacut.com • www.diacut.com

A LEADING MANUFACTURER OF **DIAMOND AND CBN BLADES**



P.O. Box 217, 773 Hwy. 105, Palmer Lake, CO 80133
 phone: **719-481-4205** fax: 719-488-0872
 email: **sales@diacut.com** web: www.diacut.com



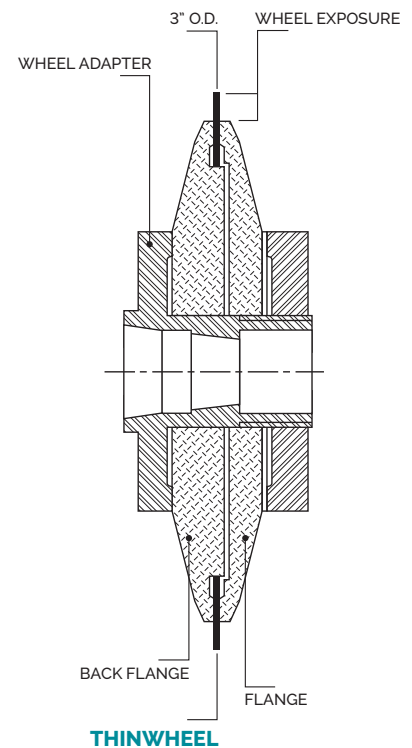
3" DIAMETER SERIES

RESIN BOND Diamond and CBN
 Slotting • Slicing • Dicing • Cut-off

OUTSIDE DIAMETER: 3" INSIDE DIAMETER: 1.75"

Thinwheels available in thickness from .004"-.250" in increments of .001" or a fraction thereof.

Thickness Tolerance: Standard +.0/- .0004" Special +.0/- .0002"



SUPERABRASIVE SOLID TO HOLE

WHEEL THICKNESS	TOLERANCE	DIAMOND	CBN
.004"-.006"	Special	\$ 143.00	NA
.007"-.009"	Standard	\$ 127.00	\$ 137.00
	Special	\$ 133.00	\$ 144.00
.010"-.025"	Standard	\$ 105.00	\$ 121.00
	Special	\$ 112.00	\$ 128.00
.026"-.050"	Standard	\$ 119.00	\$ 149.00
	Special	\$ 126.00	\$ 156.00
.051"-.075"	Standard	\$ 132.00	\$ 173.00
	Special	\$ 140.00	\$ 179.00
.076"-.100"	Standard	\$ 146.00	\$ 193.00
	Special	\$ 152.00	\$ 200.00
.101"-.125"	Standard	\$ 157.00	\$ 213.00
	Special	\$ 164.00	\$ 220.00
.126"-.150"	Standard	\$ 167.00	\$ 231.00
	Special	\$ 174.00	\$ 237.00
.151"-.175"	Standard	\$ 178.00	\$ 243.00
	Special	\$ 186.00	\$ 251.00
.176"-.200"	Standard	\$ 188.00	\$ 255.00
	Special	\$ 194.00	\$ 262.00
.201"-.225"	Standard	\$ 196.00	\$ 263.00
	Special	\$ 203.00	\$ 269.00
.226"-.250"	Standard	\$ 203.00	\$ 268.00
	Special	\$ 210.00	\$ 275.00

NOTE: Add 10% for Copper Bond (RLE)

1A8 FLANGES FOR 3" THINWHEEL

A special Diacut flange must be used with the 3" Thinwheel.

PART NO.	DIAMETER	WHEEL EXPOSURE	PRICE
F1A8-385	2.85"	.075"	\$71
F1A8-370	2.70"	.150"	\$70
F1A8-355	2.55"	.225"	\$68
F1A8-340*	2.40"	.300"	\$67
F1A8-325*	2.25"	.375"	\$66
FS300	Complete set of flanges		\$327

Flange thickness for 3" Thinwheel is .400"
 Standard hole size for all flanges is 1.25"
 Special hole size- add \$10

WHEEL EXPOSURE NOT TO EXCEED 15 TIMES THE THICKNESS OF THE BLADE

WHEEL ADAPTERS

Keep grinding wheels mounted for longer wheel life and less dressing time.



WA200-1LH	Wheel adapter O.D. 2-1/4"	\$60
*WAX200-1LH	Wheel adapter O.D. 1-3/4"	\$110

PRICES SUBJECT TO CHANGE WITHOUT NOTICE.
 EFFECTIVE APRIL 1, 2019 • VISA/MASTERCARD ACCEPTED



P.O. Box 217, 773 Hwy. 105, Palmer Lake, CO 80133
 phone: **719-481-4205** fax: 719-488-0872
 email: **sales@diacut.com** web: www.diacut.com



4" DIAMETER SERIES

RESIN BOND Diamond and CBN
 Slotting • Slicing • Dicing • Cut-off

OUTSIDE DIAMETER: 4" INSIDE DIAMETER: 2.75"

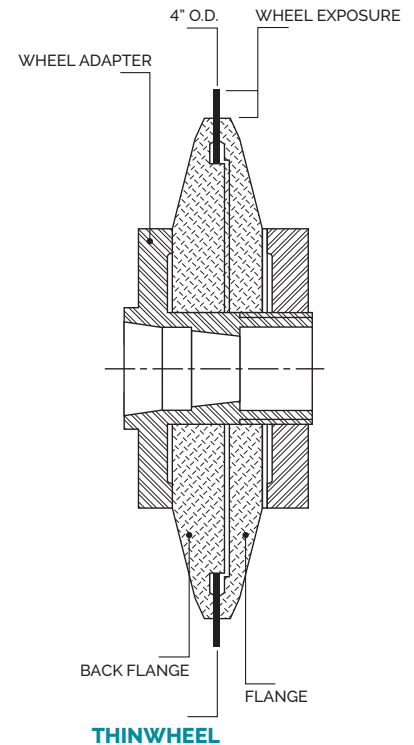
Thinwheels available in thickness from .004"-.250" in increments of .001" or a fraction thereof.

Thickness Tolerance: Standard +.0/-0.0004" Special +.0/-0.0002"

SUPERABRASIVE SOLID TO HOLE

WHEEL THICKNESS	TOLERANCE	DIAMOND	CBN
.004"-.006"	Special	\$ 141.00	NA
.007"-.009"	Standard	\$ 130.00	\$ 139.00
	Special	\$ 140.00	\$ 147.00
.010"-.025"	Standard	\$ 113.00	\$ 131.00
	Special	\$ 122.00	\$ 141.00
.026"-.050"	Standard	\$ 131.00	\$ 164.00
	Special	\$ 141.00	\$ 173.00
.051"-.075"	Standard	\$ 147.00	\$ 194.00
	Special	\$ 156.00	\$ 203.00
.076"-.100"	Standard	\$ 162.00	\$ 221.00
	Special	\$ 172.00	\$ 231.00
.101"-.125"	Standard	\$ 174.00	\$ 244.00
	Special	\$ 183.00	\$ 254.00
.126"-.150"	Standard	\$ 186.00	\$ 264.00
	Special	\$ 194.00	\$ 273.00
.151"-.175"	Standard	\$ 194.00	\$ 280.00
	Special	\$ 203.00	\$ 288.00
.176"-.200"	Standard	\$ 202.00	\$ 293.00
	Special	\$ 211.00	\$ 302.00
.201"-.225"	Standard	\$ 207.00	\$ 302.00
	Special	\$ 216.00	\$ 311.00
.226"-.250"	Standard	\$ 212.00	\$ 308.00
	Special	\$ 221.00	\$ 317.00

NOTE: Add 10% for Copper Bond (RLE)



1A8 FLANGES FOR 4" THINWHEEL

A special Diacut flange must be used with the 4" Thinwheel.

PART NO.	DIAMETER	WHEEL EXPOSURE	PRICE
F1A8-485	3.85"	.075"	\$90
F1A8-470	3.70"	.150"	\$89
F1A8-455	3.55"	.225"	\$88
F1A8-440	3.40"	.300"	\$87
F1A8-425	2.25"	.375"	\$86
FS400	Complete set of flanges		\$427

Flange thickness for 4" Thinwheel is .650"
 Standard hole size for all flanges is 1.25"
 Special hole size- add \$10

WHEEL EXPOSURE NOT TO EXCEED 15 TIMES THE THICKNESS OF THE BLADE

WHEEL ADAPTERS

Keep grinding wheels mounted for longer wheel life and less dressing time.



WA200-1LH Wheel adapter O.D. 2-1/4" \$60

PRICES SUBJECT TO CHANGE WITHOUT NOTICE.
 EFFECTIVE APRIL 1, 2019 • VISA/MASTERCARD ACCEPTED



P.O. Box 217, 773 Hwy. 105, Palmer Lake, CO 80133
 phone: **719-481-4205** fax: 719-488-0872
 email: **sales@diacut.com** web: www.diacut.com



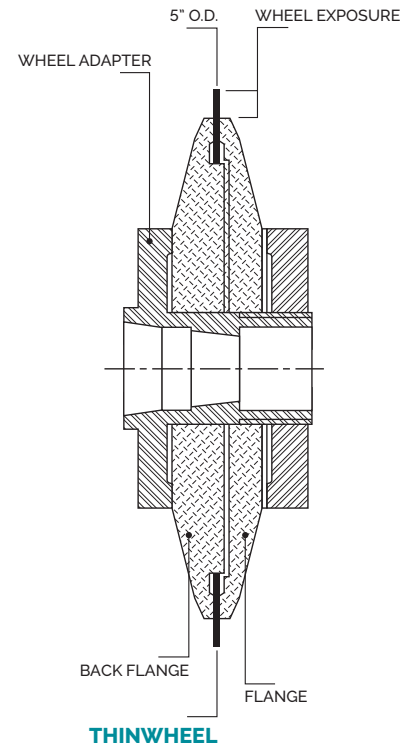
5" DIAMETER SERIES

RESIN BOND Diamond and CBN
 Slotting • Slicing • Dicing • Cut-off

OUTSIDE DIAMETER: 5" INSIDE DIAMETER: 3.5"

Thinwheels available in thickness from .004"-.250" in increments of .001" or a fraction thereof.

Thickness Tolerance: Standard +.0/-0.0004" Special +.0/-0.0002"



SUPERABRASIVE SOLID TO HOLE

WHEEL THICKNESS	TOLERANCE	DIAMOND	CBN
.004"-.006"	Special	\$ 147.00	NA
.007"-.009"	Standard	\$ 134.00	\$ 166.00
	Special	\$ 146.00	\$ 177.00
.010"-.025"	Standard	\$ 124.00	\$ 150.00
	Special	\$ 134.00	\$ 162.00
.026"-.050"	Standard	\$ 150.00	\$ 201.00
	Special	\$ 151.00	\$ 212.00
.051"-.075"	Standard	\$ 174.00	\$ 244.00
	Special	\$ 186.00	\$ 256.00
.076"-.100"	Standard	\$ 194.00	\$ 283.00
	Special	\$ 206.00	\$ 295.00
.101"-.125"	Standard	\$ 203.00	\$ 318.00
	Special	\$ 214.00	\$ 329.00
.126"-.150"	Standard	\$ 228.00	\$ 346.00
	Special	\$ 239.00	\$ 357.00
.151"-.175"	Standard	\$ 240.00	\$ 370.00
	Special	\$ 252.00	\$ 380.00
.176"-.200"	Standard	\$ 251.00	\$ 388.00
	Special	\$ 262.00	\$ 399.00
.201"-.225"	Standard	\$ 258.00	\$ 403.00
	Special	\$ 269.00	\$ 415.00
.226"-.250"	Standard	\$ 262.00	\$ 408.00
	Special	\$ 273.00	\$ 419.00

NOTE: Add 10% for Copper Bond (RLE)

1A8 FLANGES FOR 5" THINWHEEL

A special Diacut flange must be used with the 5" Thinwheel.

PART NO.	DIAMETER	WHEEL EXPOSURE	PRICE
F1A8-575	4.75"	.125"	\$102
F1A8-560	4.60"	.200"	\$98
F1A8-545	4.45"	.275"	\$96
F1A8-530	4.30"	.350"	\$94
F1A8-515	4.15"	.425"	\$90
F1A8-500	4.00"	.500"	\$88
FS500	Complete set of flanges		\$527

Flange thickness for 5" Thinwheel is .650"
 Standard hole size for all flanges is 1.25"
 Special hole size- add \$10

WHEEL EXPOSURE NOT TO EXCEED 15 TIMES THE THICKNESS OF THE BLADE

WHEEL ADAPTERS

Keep grinding wheels mounted for longer wheel life and less dressing time.



WA200-1LH Wheel adapter O.D. 2-1/4" \$60

PRICES SUBJECT TO CHANGE WITHOUT NOTICE.
 EFFECTIVE APRIL 1, 2019 • VISA/MASTERCARD ACCEPTED



P.O. Box 217, 773 Hwy. 105, Palmer Lake, CO 80133
 phone: **719-481-4205** fax: 719-488-0872
 email: **sales@diacut.com** web: www.diacut.com



6" DIAMETER SERIES

RESIN BOND Diamond and CBN

Slotting • Slicing • Dicing • Cut-off

OUTSIDE DIAMETER: 6" INSIDE DIAMETER: 4.5"

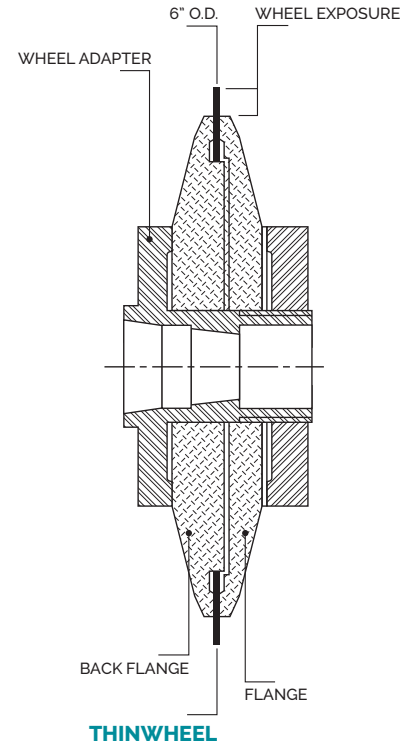
Thinwheels available in thickness from .004"-.250" in increments of .001" or a fraction thereof.

Thickness Tolerance: Standard +.0/- .0004" Special +.0/- .0002"

SUPERABRASIVE SOLID TO HOLE

WHEEL THICKNESS	TOLERANCE	DIAMOND	CBN
.004"-.006"	Special	\$ 161.00	NA
.007"-.009"	Standard	\$ 146.00	\$ 186.00
	Special	\$ 160.00	\$ 198.00
.010"-.025"	Standard	\$ 134.00	\$ 170.00
	Special	\$ 148.00	\$ 183.00
.026"-.050"	Standard	\$ 166.00	\$ 229.00
	Special	\$ 179.00	\$ 242.00
.051"-.075"	Standard	\$ 195.00	\$ 283.00
	Special	\$ 209.00	\$ 297.00
.076"-.100"	Standard	\$ 220.00	\$ 329.00
	Special	\$ 234.00	\$ 344.00
.101"-.125"	Standard	\$ 241.00	\$ 372.00
	Special	\$ 255.00	\$ 408.00
.126"-.150"	Standard	\$ 258.00	\$ 405.00
	Special	\$ 272.00	\$ 419.00
.151"-.175"	Standard	\$ 275.00	\$ 435.00
	Special	\$ 288.00	\$ 448.00
.176"-.200"	Standard	\$ 287.00	\$ 457.00
	Special	\$ 301.00	\$ 470.00
.201"-.225"	Standard	\$ 297.00	\$ 471.00
	Special	\$ 310.00	\$ 485.00
.226"-.250"	Standard	\$ 302.00	\$ 480.00
	Special	\$ 315.00	\$ 493.00

NOTE: Add 10% for Copper Bond (RLE)



1A8 FLANGES FOR 6" THINWHEEL

A special Diacut flange must be used with the 6" Thinwheel.

PART NO.	DIAMETER	WHEEL EXPOSURE	PRICE
F1A8-675	5.75"	.125"	\$122
F1A8-660	5.60"	.200"	\$120
F1A8-645	5.45"	.275"	\$118
F1A8-630	5.30"	.350"	\$116
F1A8-615	5.15"	.425"	\$113
F1A8-600	5.00"	.500"	\$111
FS600	Complete set of flanges		\$662

Flange thickness for 6" Thinwheel is .700"

Standard hole size for all flanges is 1.25"

Special hole size- add \$10

WHEEL EXPOSURE NOT TO EXCEED 15 TIMES THE THICKNESS OF THE BLADE

WHEEL ADAPTERS

Keep grinding wheels mounted for longer wheel life and less dressing time.



WA130-LH Wheel adapter O.D. 3" \$165

PRICES SUBJECT TO CHANGE WITHOUT NOTICE.
 EFFECTIVE APRIL 1, 2019 • VISA/MASTERCARD ACCEPTED



P.O. Box 217, 773 Hwy. 105, Palmer Lake, CO 80133
 phone: **719-481-4205** fax: 719-488-0872
 email: **sales@diacut.com** web: www.diacut.com



7" DIAMETER SERIES

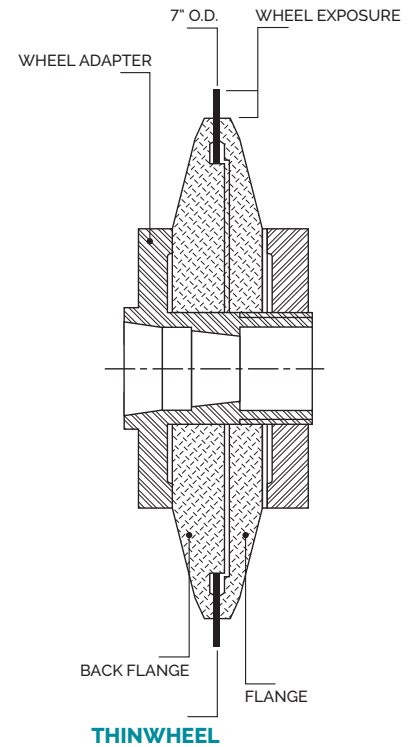
RESIN BOND Diamond and CBN

Slotting • Slicing • Dicing • Cut-off

OUTSIDE DIAMETER: 7" INSIDE DIAMETER: 5.5"

Thinwheels available in thickness from .004"-.250" in increments of .001" or a fraction thereof.

Thickness Tolerance: Standard +.0/- .0004" Special +.0/- .0002"



SUPERABRASIVE SOLID TO HOLE

WHEEL THICKNESS	TOLERANCE	DIAMOND	CBN
.010"-.025"	Standard	\$ 152.00	\$ 191.00
	Special	\$ 168.00	\$ 207.00
.026"-.050"	Standard	\$ 190.00	\$ 269.00
	Special	\$ 206.00	\$ 285.00
.051"-.075"	Standard	\$ 223.00	\$ 328.00
	Special	\$ 239.00	\$ 344.00
.076"-.100"	Standard	\$ 253.00	\$ 385.00
	Special	\$ 268.00	\$ 400.00
.101"-.125"	Standard	\$ 278.00	\$ 433.00
	Special	\$ 293.00	\$ 448.00
.126"-.150"	Standard	\$ 300.00	\$ 475.00
	Special	\$ 315.00	\$ 489.00
.151"-.175"	Standard	\$ 317.00	\$ 507.00
	Special	\$ 332.00	\$ 523.00
.176"-.200"	Standard	\$ 331.00	\$ 532.00
	Special	\$ 347.00	\$ 548.00
.201"-.225"	Standard	\$ 342.00	\$ 550.00
	Special	\$ 357.00	\$ 567.00
.226"-.250"	Standard	\$ 347.00	\$ 560.00
	Special	\$ 363.00	\$ 576.00

NOTE: Add 10% for Copper Bond (RLE)

1A8 FLANGES FOR 7" THINWHEEL

A special Diacut flange must be used with the 7" Thinwheel.

PART NO.	DIAMETER	WHEEL EXPOSURE	PRICE
F1A8-775	6.75"	.125"	\$152
F1A8-760	6.60"	.200"	\$149
F1A8-745	6.45"	.275"	\$146
F1A8-730	6.30"	.350"	\$143
F1A8-715	6.15"	.425"	\$140
F1A8-700	6.00"	.500"	\$135
FS700	Complete set of flanges		\$809

Flange thickness for 7" Thinwheel is .750"

Standard hole size for all flanges is 1.25"

Special hole size- add \$10

WHEEL EXPOSURE NOT TO EXCEED 15 TIMES THE THICKNESS OF THE BLADE

WHEEL ADAPTERS

Keep grinding wheels mounted for longer wheel life and less dressing time.



WA130-LH Wheel adapter O.D. 3" \$165

PRICES SUBJECT TO CHANGE WITHOUT NOTICE.
 PRICES EFFECTIVE APRIL 1, 2019
 VISA/MASTERCARD ACCEPTED



P.O. Box 217, 773 Hwy. 105, Palmer Lake, CO 80133
 phone: **719-481-4205** fax: 719-488-0872
 email: **sales@diacut.com** web: www.diacut.com



8" DIAMETER SERIES

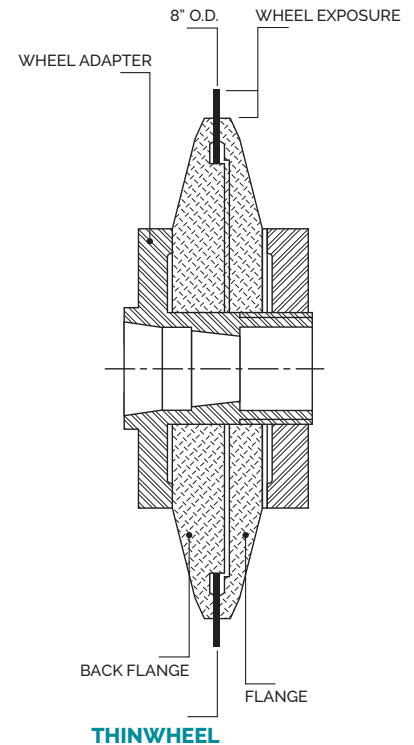
RESIN BOND Diamond and CBN

Slotting • Slicing • Dicing • Cut-off

OUTSIDE DIAMETER: 8" INSIDE DIAMETER: 6.5"

Thinwheels available in thickness from .010"-.250"
 in increments of .001" or a fraction thereof.

Thickness Tolerance: Standard +.0/- .001" Special +.0/- .0005"



SUPERABRASIVE SOLID TO HOLE

WHEEL THICKNESS	TOLERANCE	DIAMOND	CBN
.010"-.025"	Standard	\$ 180.00	\$ 225.00
	Special	\$ 196.00	\$ 243.00
.026"-.050"	Standard	\$ 212.00	\$ 298.00
	Special	\$ 231.00	\$ 315.00
.051"-.075"	Standard	\$ 251.00	\$ 372.00
	Special	\$ 268.00	\$ 390.00
.076"-.100"	Standard	\$ 284.00	\$ 437.00
	Special	\$ 302.00	\$ 455.00
.101"-.125"	Standard	\$ 313.00	\$ 493.00
	Special	\$ 331.00	\$ 511.00
.126"-.150"	Standard	\$ 338.00	\$ 540.00
	Special	\$ 356.00	\$ 558.00
.151"-.175"	Standard	\$ 358.00	\$ 578.00
	Special	\$ 376.00	\$ 596.00
.176"-.200"	Standard	\$ 374.00	\$ 607.00
	Special	\$ 392.00	\$ 625.00
.201"-.225"	Standard	\$ 386.00	\$ 628.00
	Special	\$ 403.00	\$ 646.00
.226"-.250"	Standard	\$ 394.00	\$ 639.00
	Special	\$ 415.00	\$ 657.00

NOTE: Add 10% for Copper Bond (RLE)

1A8 FLANGES FOR 8" THINWHEEL

A special Diacut flange must be used with the 8" Thinwheel.

PART NO.	DIAMETER	WHEEL EXPOSURE	PRICE
F1A8-875	7.75"	.125"	\$179
F1A8-860	7.60"	.200"	\$176
F1A8-845	7.45"	.275"	\$173
F1A8-830	7.30"	.350"	\$170
F1A8-815	7.15"	.425"	\$166
F1A8-800	7.00"	.500"	\$163
FS800	Complete set of flanges		\$972

Flange thickness for 8" Thinwheel is .800"

Standard hole size for all flanges is 1.25"

Special hole size- add \$10

WHEEL EXPOSURE NOT TO EXCEED 15 TIMES THE THICKNESS OF THE BLADE

WHEEL ADAPTERS

Keep grinding wheels mounted for longer wheel life and less dressing time.



WA130-LH Wheel adapter O.D. 3" \$165

PRICES SUBJECT TO CHANGE WITHOUT NOTICE.
 PRICES EFFECTIVE APRIL 1, 2019
 VISA/MASTERCARD ACCEPTED



P.O. Box 217, 773 Hwy. 105, Palmer Lake, CO 80133
 phone: **719-481-4205** fax: 719-488-0872
 email: **sales@diacut.com** web: www.diacut.com



10" DIAMETER SERIES

RESIN BOND Diamond and CBN

Slotting • Slicing • Dicing • Cut-off

OUTSIDE DIAMETER: 10" INSIDE DIAMETER: 8.5"

Thinwheels available in thickness from .010"-.250" in increments of .001" or a fraction thereof.

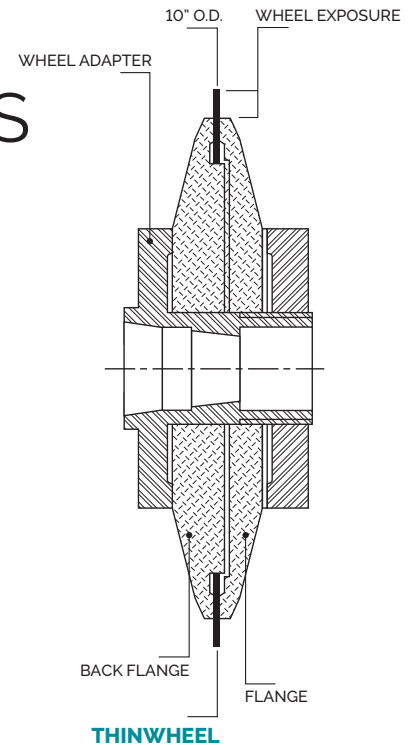
Thickness Tolerance: Standard +.0/- .001" Special +.0/- .0005"

SUPERABRASIVE SOLID TO HOLE

WHEEL THICKNESS	TOLERANCE	DIAMOND	CBN
.010"-.025"	Standard	ON REQUEST	
	Special	ON REQUEST	
.026"-.050"	Standard	\$ 285.00	\$ 422.00
	Special	\$ 308.00	\$ 445.00
.051"-.075"	Standard	\$ 313.00	\$ 477.00
	Special	\$ 335.00	\$ 499.00
.076"-.100"	Standard	\$ 356.00	\$ 564.00
	Special	\$ 379.00	\$ 587.00
.101"-.125"	Standard	\$ 397.00	\$ 641.00
	Special	\$ 420.00	\$ 664.00
.126"-.150"	Standard	\$ 432.00	\$ 707.00
	Special	\$ 454.00	\$ 729.00
.151"-.175"	Standard	\$ 460.00	\$ 760.00
	Special	\$ 482.00	\$ 783.00
.176"-.200"	Standard	\$ 543.00	\$ 802.00
	Special	\$ 504.00	\$ 824.00
.201"-.225"	Standard	\$ 499.00	\$ 838.00
	Special	\$ 521.00	\$ 861.00
.226"-.250"	Standard	\$ 509.00	\$ 852.00
	Special	\$ 644.00	\$ 875.00

NOTE: Add 10% for Copper Bond (RLE)

PRICES SUBJECT TO CHANGE WITHOUT NOTICE.
 PRICES EFFECTIVE APRIL 1, 2019
 VISA/MASTERCARD ACCEPTED



1A8 FLANGES FOR 10" THINWHEEL

A special Diacut flange must be used with the 10" Thinwheel.

PART NO.	DIAMETER	WHEEL EXPOSURE	PRICE
F1A8-1075	9.75"	.125"	\$289
F1A8-1060	9.60"	.200"	\$284
F1A8-1045	9.45"	.275"	\$279
F1A8-1030	9.30"	.350"	\$273
F1A8-1015	9.15"	.425"	\$268
F1A8-1000	9.00"	.500"	\$263

Flange thickness for 10" Thinwheel is 1"
 Standard hole size for all flanges is 1.25"
 Special hole size- add \$10

WHEEL EXPOSURE NOT TO EXCEED 15 TIMES THE THICKNESS OF THE BLADE

WHEEL ADAPTERS

Keep grinding wheels mounted for longer wheel life and less dressing time.

